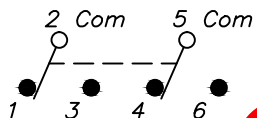


RECOMMENDED P.C.B. LAYOUT

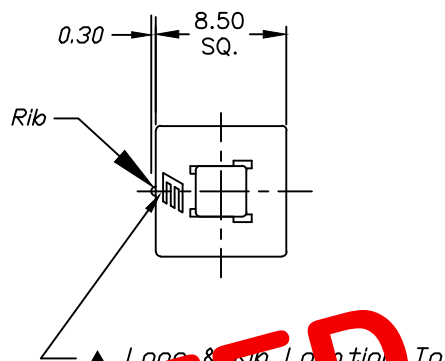


CIRCUIT: 2PDT

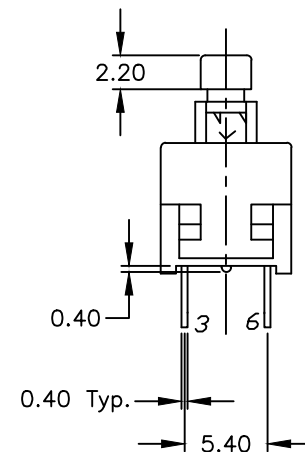
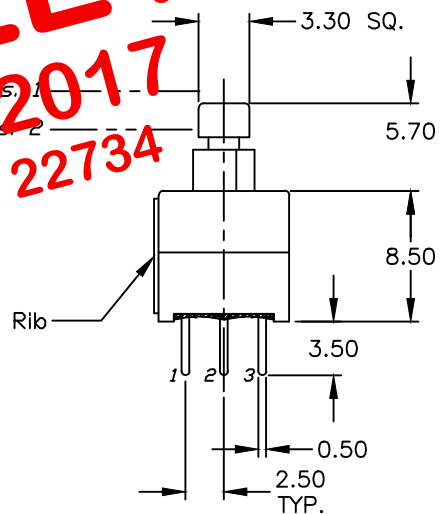
SWITCH FUNCTION		
CONNECTED TERM. #	FUNCTION	
2-1,5-4	NORMALLY CLOSED	POS. 1
2-3,5-6	NORMALLY OPEN	POS. 2
2,5	COMMON	

NOTES:

1. ALL DIMENSIONS IN MM
2. GENERAL TOLERANCE: X.X=±0.4
X.XX=±0.25
3. TERM. NOS. FOR REF. ONLY
4. RATING: 0.1A @30V DC
5. TRAVEL: (TO MAKE)= 1.34±0.38
(TOTAL TRAVEL)= 2.50±0.38
6. OPERATING FORCE: 180±50gf
7. CONTACT RESISTANCE: 50mILLI-Ohms MAX. Initially
8. ELECTRICAL LIFE (at Full Load):
10,000 Cycles Make & Break
9. ▲ DENOTES CRITICAL PARAMETER.



OBSOLETE
FEB. 2017
PCR 22734



C	13603	RELEASED FOR PRODUCTION	11/17/03	AR
REV.	ECN No.	DESCRIPTION	DATE	CHKD

THE INFORMATION CONTAINED IN THIS DOCUMENT IS PROPRIETARY TO E-SWITCH AND IS NOT TO BE COPIED OR TRANSFERRED

E-SWITCH®				
TITLE TL2201DAYA W/CLICK				
SCALE 2:1	DATE 11/17/03	DR AR	DWG P010364	REV C